



TECHNICAL GUIDE  
LOEWEN MULTISLIDE

*Loewen*

## LOEWEN MULTISLIDE



P2

**MULTISLIDE** doors provide large dramatic openings for the transition from indoor and outdoor living spaces. With an easy, smooth and quiet operation, using stainless steel tracks, MultiSlide interlocking sliding panels provides secure and weatherproof options in large openings. A large selection of custom configurations and design options are available, including bi-parting and hidden pocketing.

Loewen narrow stile and rail panels provide a contemporary look with a narrow stile 2 7/8" face width. This width is narrower than many sliding door programs while still incorporating an available flush handle and multipoint locking mechanism. Also available in the wide 4 5/16" stile. The panel construction, using authentic Loewen door components, results in a cohesive aesthetic with other Loewen product lines.



Our unique 2 1/4" thick panel adds superior thermal performance, as well as strength and durability. The high structural integrity and raised threshold options allow MultiSlide doors to be located in areas of moderate to high exposure where homeowners want a broad view with no visual interference — mountain, hillside or lake-front vistas. Multi track thermally broken frame and sill is available in raised sill with no riser, 1 1/8" riser and 1 1/2" riser for best performance.

Doors can be clad in a variety of colors from the extensive Loewen palette, and are available in Douglas Fir or in Mahogany interiors.

## LOEWEN MULTISLIDE

### STANDARD FEATURES

- Standard panel heights up to 10 feet.
- Standard panel widths up to 5 feet; custom sizes available
- Natural Douglas Fir interior (no visible finger joints)
- Low E insulated tempered glazing
- 2 1/4" (58 mm) thick sliding panels
- Extruded aluminum cladding in 54 standard colors
- Standard bronze anodized sill with built in drainage system
- Metal clad jamb fillers and frame cladding match clad door panels

### GLASS & GLAZING

- A wide variety of glazing options available including triple glazed
- Heat-Smart® Double, Heat-Smart® Triple, and Tranquility.
- Exterior Simulated Divided Lites options available in Putty, Ogee and Square.
- Interior SDL and stops options include Ogee, Square and Putty

### HARDWARE

- Multipoint locking door handles are available in a variety of styles and finishes.



Exterior pull (Nickel finish)



Multi-point handle system



Multi-point flush handle (Nickel finish)

### ADDITIONAL MULTI-SLIDE DOOR MULTI-POINT HANDLE SETS



Verona Handle



Fontana Handle  
(PVD Bronze)



Churchill Handle  
(Rustic Bronze)



Volo Handle  
(PVD Satin Nickel)



Mercury Handle  
(PVD Satin Nickel)



Botticelli Handle  
(Oil Rubbed Bronze)

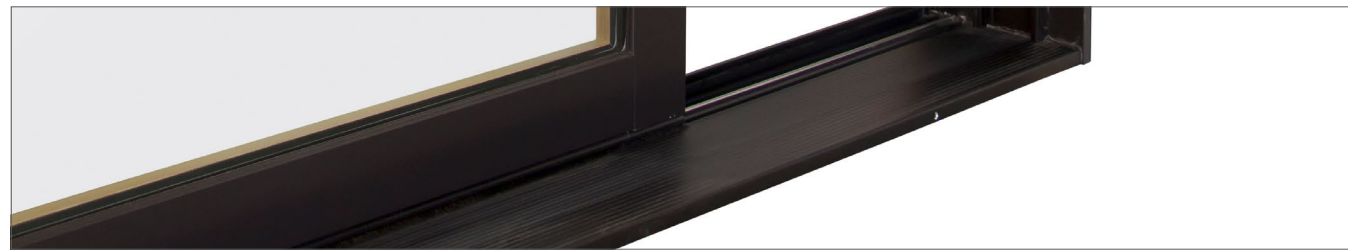
P3



Multi-slide raised sill track



Easy glide low resistant movement



## SPECIFICATIONS

### STANDARDS

Most units have been tested by an independent laboratory for air and water infiltration, structural performance and thermal performance.

### PANEL

Manufactured from Coastal Douglas Fir kiln-dried lumber. The entire Loewen product line is also available in optional Mahogany or optional FSC® chain of custody certified Douglas Fir (SCS-COC-005141).

### PRESERVATIVE TREATED

Manufactured from Coastal Douglas Fir kiln-dried lumber.

### DOOR PANELS

Opening panel is equipped with two sets of adjustable ball bearing tandem rollers. Sash is 2 1/4" (57 mm) thick for extra strength and durability.

### GLAZING

With countless glazing configurations and Low E coating options, we ensure that you can choose the perfect blend of protection and comfort.

### INSULATING GLASS

Double or triple insulating tempered glass configuration, with 1/2" (13 mm) airspace.

### HEAT-SMART® SYSTEMS

Heat-Smart® best describes the benefits of the product that incorporates Low E coating and argon gas. Heat-Smart® systems help reduce heating and cooling costs, providing superior energy efficiency.

### SIMULATED DIVIDED LITES (SDL)

Standard SDL complete with airspace grilles. Grille bars are permanently applied to the interior and exterior.

### METAL CLADDING

Heavy duty exterior metal cladding comprised of extruded aluminum is available in a variety of Standard and Architectural Palette colors. Interior of door can be natural wood, unfinished or primed. Metal clad units are supplied ready-to-install complete with optional metal nailing flange.

### SILL TRACK

Extruded metal sill with stainless steel cap over operating track for ease of operation and long-lasting performance. An internal weep system with drainage holes keeps water out of the interior trough.

### HARDWARE

Multi-point locking hardware, in patio and flush handle styles. The locking hardware is also available in several optional finishes. Stainless steel roller assemblies are optional.

## PRODUCT FEATURES

### SAMPLE CONFIGURATIONS

STACKING	POCKETED
0XX	PXX
0XXX	PXXX
0XXXX	PXXXX
0XXXXXX	PXXXXXX
0X - X0	PXX - XXP
0XX - XX0	PXXX - XXXP
0XXX - XXX0	PXXXX - XXXXP

X = Operating

0=Fixed

P=Pocket

### HARDWARE

Multiple hardware type and finish choices are available. See loewen.com.

### SIMULATED DIVIDED LITES (SDL)

Ogee Profile.

Putty Profile.

Square Profile (interior only)

### TRACK ASSEMBLY

Available in bronze anodized finish only. Multi track thermally broken frame and sill is available in raised sill with no riser, 1 1/8" riser and 1 1/2" riser.

### METAL CLAD COLOR SPECTRUM

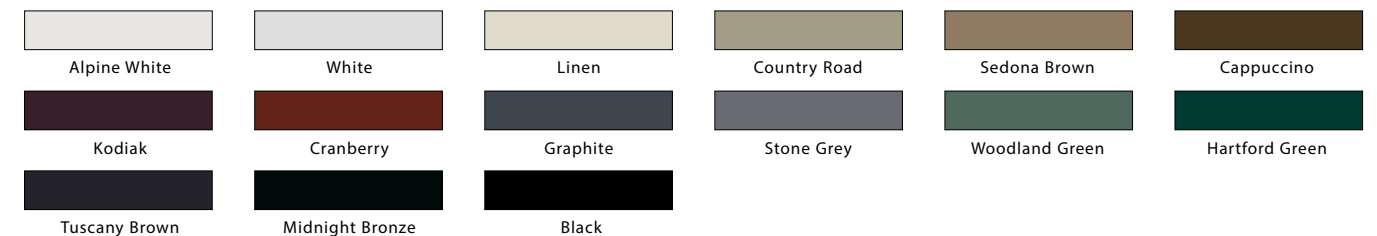
Standard and Architectural Palette colors.

### STANDARD FEATURES

- Stacking: 8 panels max (left or right in a single direction)
- Bi-Parting: 4 panels left, 4 panels right (8 in total)
- Pocket: max 8 panels stacking or bi-parting

## LOEWEN'S EXPANSIVE FINISH PALETTE

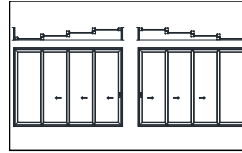
### STANDARD COLOR PALETTE



### ARCHITECTURAL COLOR PALETTE



Colors may not be exactly as shown. Contact your Authorized Loewen Dealer for actual metal samples of the Loewen Metal Clad Color Spectrum.



## LOEWEN MULTISLIDE: SIZING CHARTS FOR STACKING

### NARROW STILE

		WIDTH								
Rough Opening		48 3/16" 1224	69 3/8" 1762	72 1/8" 1859	105 1/4" 2674	138 7/16" 3517	171 9/16" 4358	204 3/4" 5201		
System		47 3/16" 1199	68 3/8" 1737	71 1/8" 1807	104 1/4" 2649	137 7/16" 3492	170 9/16" 4333	203 3/4" 5176		
R.O.	System	Panel		Jamb						
		24" 610	24" 610	36" 914	36" 914	36" 914	36" 914	36" 914	36" 914	
		Jamb	7 3/8" 188	10 3/8" 264	7 3/8" 188	10 3/8" 264	13 3/8" 340	16 3/8" 416	19 3/8" 492	
HEIGHT	39 1/8" 994	38 5/8" 981	36" 914	OX XO	OXX XXO	OX XO	OXX XXO	OXXX XXXXO	OXXXX XXXXXO	OXXXXX XXXXXXO
	63 1/8" 1604	62 5/8" 1591	60" 1524	OX XO	OXX XXO	OX XO	OXX XXO	OXXX XXXXO	OXXXX XXXXXO	OXXXXX XXXXXXO
	87 3/16" 2214	86 11/16" 2201	84" 2134			OX XO	OXX XXO	OXXX XXXXO	OXXXX XXXXXO	OXXXXX XXXXXXO
	99 1/8" 2518	98 5/8" 2505	96" 2438			OX XO	OXX XXO	OXXX XXXXO	OXXXX XXXXXO	OXXXXX XXXXXXO
	111 1/8" 2823	110 5/8" 2810	108" 2743			OX XO	OXX XXO	OXXX XXXXO	OXXXX XXXXXO	OXXXXX XXXXXXO
	123 1/8" 3128	122 5/8" 3115	120" 3048			OX XO	OXX XXO	OXXX XXXXO	OXXXX XXXXXO	OXXXXX XXXXXXO

	Minimum Panel Dimensions - 2' x 3'
	Maximum Panel Dimensions - 5' x 10'
	Maximum System Width - 24'

- Note:
- O = Fixed
  - X = Operating
  - P = Pocketing

- The preparation of the rough opening for large openings such as those required by, but not limited to, LiftSlide, Bifold and MultiSlide doors have unique requirements. Structural headers that allow for deflection no greater than 1/8" along the unsupported length once the header is fully loaded are required. Special care needs to be taken when installing any unit including transoms above such large opening units.
- Loewen is not responsible for site measurements or the determination of structural and architectural requirements for the installation of large opening products such as but not limited to, LiftSlide, Bifold and MultiSlide doors. Site specifications are the responsibility of building professionals or engineers to determine.

## LOEWEN MULTISLIDE: SIZING CHARTS FOR STACKING

### NARROW STILE

		WIDTH							
Rough Opening		237 7/8" 6042	271" 6884	120 3/16" 3052	177 5/16" 4504	234 1/2" 5957	289" 7341		
System		236 7/8" 6017	270" 6859	119 3/16" 3027	176 5/16" 4479	233 1/2" 5932	288" 7315		
R.O.	System	Panel		Jamb					
		36" 914	36" 914	60" 1524	60" 1524	60" 1524	60" 1524	59 7/16" 1510	
		Jamb	22 3/8" 569	25 3/8" 645	7 3/8" 188	10 3/8" 264	13 3/8" 340	16 3/8" 416	
HEIGHT	39 1/8" 994	38 5/8" 981	36" 914	OXXXXX XXXXXXO	OXXXXXX XXXXXXXO	OX XO	OXX XXO	OXXX XXXXO	OXXXX XXXXXO
	63 1/8" 1604	62 5/8" 1591	60" 1524	OXXXXX XXXXXXO	OXXXXXX XXXXXXXO	OX XO	OXX XXO	OXXX XXXXO	OXXXX XXXXXO
	87 3/16" 2214	86 11/16" 2201	84" 2134	OXXXXX XXXXXXO	OXXXXXX XXXXXXXO	OX XO	OXX XXO	OXXX XXXXO	OXXXX XXXXXO
	99 1/8" 2518	98 5/8" 2505	96" 2438	OXXXXX XXXXXXO	OXXXXXX XXXXXXXO	OX XO	OXX XXO	OXXX XXXXO	OXXXX XXXXXO
	111 1/8" 2823	110 5/8" 2810	108" 2743	OXXXXX XXXXXXO	OXXXXXX XXXXXXXO	OX XO	OXX XXO	OXXX XXXXO	OXXXX XXXXXO
	123 1/8" 3128	122 5/8" 3115	120" 3048	OXXXXX XXXXXXO	OXXXXXX XXXXXXXO	OX XO	OXX XXO	OXXX XXXXO	OXXXX XXXXXO

	Minimum Panel Dimensions - 2' x 3'
	Maximum Panel Dimensions - 5' x 10'
	Maximum System Width - 24'

- Note:
- O = Fixed
  - X = Operating
  - P = Pocketing

- The preparation of the rough opening for large openings such as those required by, but not limited to, LiftSlide, Bifold and MultiSlide doors have unique requirements. Structural headers that allow for deflection no greater than 1/8" along the unsupported length once the header is fully loaded are required. Special care needs to be taken when installing any unit including transoms above such large opening units.
- Loewen is not responsible for site measurements or the determination of structural and architectural requirements for the installation of large opening products such as but not limited to, LiftSlide, Bifold and MultiSlide doors. Site specifications are the responsibility of building professionals or engineers to determine.

# LOEWEN MULTISLIDE: SIZING CHARTS FOR STACKING

## WIDE STILE

P8

www.loewen.com | 1.800.563.9367 | LOEWEN MULTISLIDE

		WIDTH								
Rough Opening		46 5/8" 1184	66 1/4" 1683	70 5/8" 1794	102 1/4" 2597	133 7/8" 3401	165 1/2" 4204	197 3/16" 5008		
R.O. System		45 5/8" 1159	65 1/4" 1658	69 5/8" 1769	101 1/4" 2572	132 7/8" 3375	164 1/2" 4179	196 3/16" 4982		
R.O. System Panel		24" 610	24" 610	36" 914	36" 914	36" 914	36" 914	36" 914		
R.O. System Panel Jamb		7 3/8" 188	10 3/8" 264	7 3/8" 188	10 3/8" 264	13 3/8" 340	16 3/8" 416	19 3/8" 492		
HEIGHT	39 1/8" 994	38 5/8" 981	36" 914		OX XO	OXX XXO	OX XO	OXX XXO	OXXX XXXXO	OXXXX XXXXXO
	63 1/8" 1604	62 5/8" 1591	60" 1524		OX XO	OXX XXO	OX XO	OXX XXO	OXXX XXXXO	OXXXX XXXXXO
	87 3/16" 2214	86 11/16" 2201	84" 2134				OX XO	OXX XXO	OXXX XXXXO	OXXXX XXXXXO
	99 1/8" 2518	98 5/8" 2505	96" 2438				OX XO	OXX XXO	OXXX XXXXO	OXXXX XXXXXO
	111 1/8" 2823	110 5/8" 2810	108" 2743				OX XO	OXX XXO	OXXX XXXXO	OXXXX XXXXXO
	123 1/8" 3128	122 5/8" 3115	120" 3048				OX XO	OXX XXO	OXXX XXXXO	OXXXX XXXXXO

	Minimum Panel Dimensions - 2' x 3'
	Maximum Panel Dimensions - 5' x 10'
	Maximum System Width - 24'

- Note:
- O = Fixed
  - X = Operating
  - P = Pocketing
  - The preparation of the rough opening for large openings such as those required by, but not limited to, LiftSlide, Bifold and MultiSlide doors have unique requirements. Structural headers that allow for deflection no greater than 1/8" along the unsupported length once the header is fully loaded are required. Special care needs to be taken when installing any unit including transoms above such large opening units.
  - Loewen is not responsible for site measurements or the determination of structural and architectural requirements for the installation of large opening products such as but not limited to, LiftSlide, Bifold and MultiSlide doors. Site specifications are the responsibility of building professionals or engineers to determine.

# LOEWEN MULTISLIDE: SIZING CHARTS FOR STACKING

## WIDE STILE (Continued)

P9

www.loewen.com | 1.800.563.9367 | LOEWEN MULTISLIDE

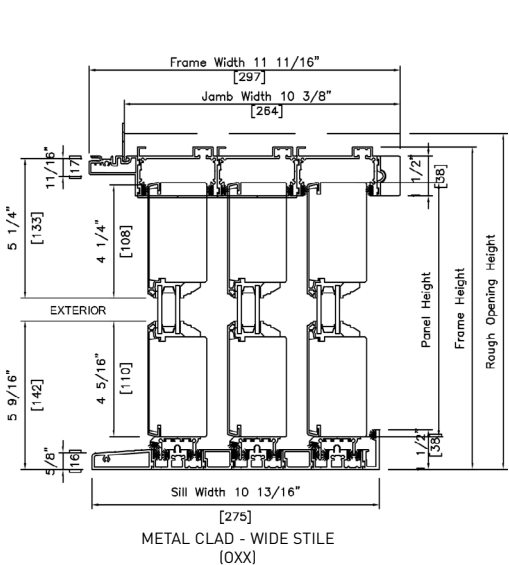
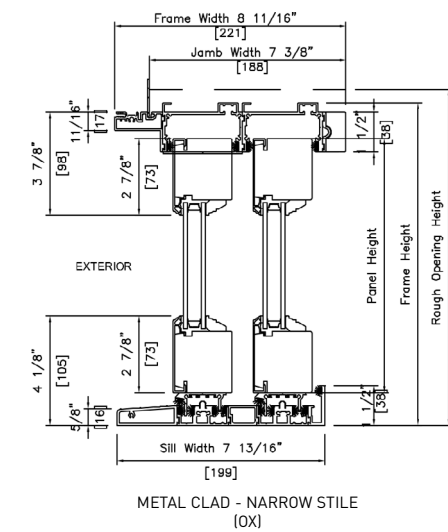
		WIDTH								
Rough Opening		228 3/4" 5811	260 7/16" 6614	118 5/8" 3013	174 1/4" 4426	229 7/8" 5839	285 1/2" 7252			
R.O. System		227 3/4" 5786	259 7/16" 6589	117 5/8" 2988	173 1/4" 4401	228 7/8" 5814	284 1/2" 7227			
R.O. System Panel		36" 914	36" 914	60" 1524	60" 1524	60" 1524	60" 1524			
R.O. System Panel Jamb		22 3/8" 569	25 3/8" 645	7 3/8" 188	10 3/8" 264	13 3/8" 340	16 3/8" 416			
HEIGHT	39 1/8" 994	38 5/8" 981	36" 914		OXXXXX XXXXXXO	OXXXXXX XXXXXXXO	OX XO	OXX XXO	OXXX XXXXO	OXXXX XXXXXO
	63 1/8" 1604	62 5/8" 1591	60" 1524		OXXXXX XXXXXXO	OXXXXXX XXXXXXXO	OX XO	OXX XXO	OXXX XXXXO	OXXXX XXXXXO
	87 3/16" 2214	86 11/16" 2201	84" 2134		OXXXXX XXXXXXO	OXXXXXX XXXXXXXO	OX XO	OXX XXO	OXXX XXXXO	OXXXX XXXXXO
	99 1/8" 2518	98 5/8" 2505	96" 2438		OXXXXX XXXXXXO	OXXXXXX XXXXXXXO	OX XO	OXX XXO	OXXX XXXXO	OXXXX XXXXXO
	111 1/8" 2823	110 5/8" 2810	108" 2743		OXXXXX XXXXXXO	OXXXXXX XXXXXXXO	OX XO	OXX XXO	OXXX XXXXO	OXXXX XXXXXO
	123 1/8" 3128	122 5/8" 3115	120" 3048		OXXXXX XXXXXXO	OXXXXXX XXXXXXXO	OX XO	OXX XXO	OXXX XXXXO	OXXXX XXXXXO

	Minimum Panel Dimensions - 2' x 3'
	Maximum Panel Dimensions - 5' x 10'
	Maximum System Width - 24'

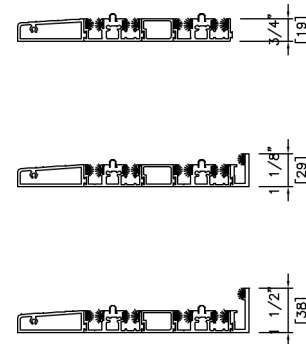
- Note:
- O = Fixed
  - X = Operating
  - P = Pocketing
  - The preparation of the rough opening for large openings such as those required by, but not limited to, LiftSlide, Bifold and MultiSlide doors have unique requirements. Structural headers that allow for deflection no greater than 1/8" along the unsupported length once the header is fully loaded are required. Special care needs to be taken when installing any unit including transoms above such large opening units.
  - Loewen is not responsible for site measurements or the determination of structural and architectural requirements for the installation of large opening products such as but not limited to, LiftSlide, Bifold and MultiSlide doors. Site specifications are the responsibility of building professionals or engineers to determine.

# LOEWEN MULTISLIDE: STACKING - DOOR DETAIL

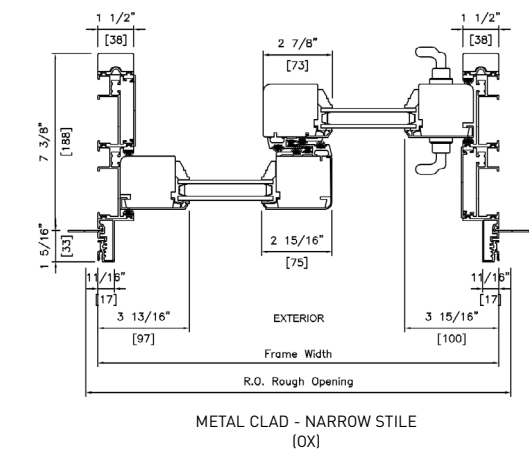
## Head and Sill Detail



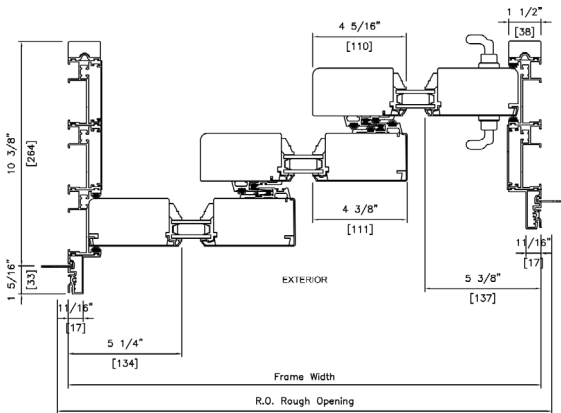
## Optional Risers



## Plan View

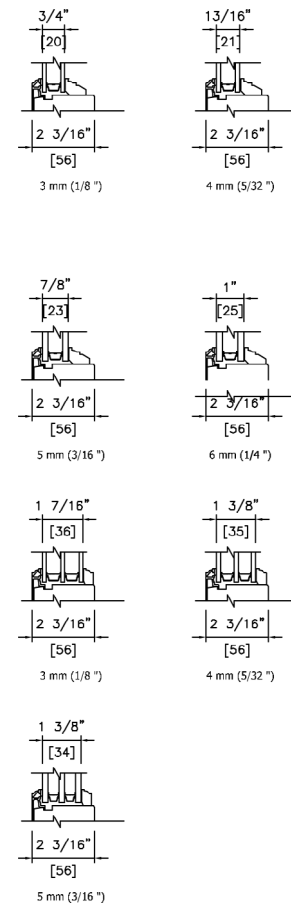


METAL CLAD - NARROW STILE (OX)



METAL CLAD - WIDE STILE (OXX)

## Standard Glazing Details



- Note:
- Drawings shown are typical details.
  - Additional sizes and configurations available.
  - Screen options may be available depending on size and configuration.
  - Raised threshold available with a maximum of 6 panels per sill (12 in a bi-parting configuration; 2 per track).
  - Consult your Authorized Dealer for details.
  - All dimensions to have +/- 1/16" [2 mm] tolerance.
  - O = Fixed
  - X = Operating
  - P = Pocketing

- The preparation of the rough opening for large openings such as those required by, but not limited to, LiftSlide, Bifold and MultiSlide doors have unique requirements. Structural headers that allow for deflection no greater than 1/8" along the unsupported length once the header is fully loaded are required. Special care needs to be taken when installing any unit including transoms above such large opening units.
- Loewen is not responsible for site measurements or the determination of structural and architectural requirements for the installation of large opening products such as but not limited to, Liftslide, Bifold and MultiSlide doors. Site specifications are the responsibility of building professionals or engineers to determine.

# LOEWEN MULTISLIDE: SIZING CHARTS FOR STACKING with POCKET

## NARROW STILE

		WIDTH						
		52 15/16" 1344	74 1/8" 1883	76 7/8" 1953	110" 2795	143 3/16" 3636	176 5/16" 4478	209 7/16" 5320
R.O.	System	51 15/16" 1319	73 1/8" 1857	75 7/8" 1927	109" 2769	142 3/16" 3611	175 5/16" 4533	208 7/16" 5295
	Framed Rough Opening	27 7/8" 709	49 1/8" 1247	39 7/8" 1013	73 1/16" 1855	106 3/16" 2697	139 5/16" 3539	172 1/2" 4381
	Panel	24" 610	24" 610	36" 914	36" 914	36" 914	36" 914	36" 914
	Jamb	4 3/8" 111	7 3/8" 187	4 3/8" 111	7 3/8" 188	10 3/8" 264	13 3/8" 340	16 3/8" 416
	39 1/8" 994	38 5/8" 981	36" 914	PX XP	PXX XXP	PX XP	PXX XXO	PXXX XXXXP
	63 1/8" 1604	62 5/8" 1591	60" 1524	PX XP	PXX XXP	PX XP	OXX XXO	PXXX XXXXP
	87 3/16" 2214	86 11/16" 2201	84" 2134			PX XP	OXX XXO	PXXX XXXXP
	99 1/8" 2518	98 5/8" 2505	96" 2438			PX XP	OXX XXO	PXXX XXXXP
	111 1/8" 2823	110 5/8" 2810	108" 2743			PX XP	OXX XXO	PXXX XXXXP
	123 1/8" 3128	122 5/8" 3115	120" 3048			PX XP	OXX XXO	PXXX XXXXP

	Minimum Panel Dimensions - 2' x 3'
	Maximum Panel Dimensions - 5' x 10'
	Maximum System Width - 24'

- Note:
- O = Fixed
  - X = Operating
  - P = Pocketing

- The preparation of the rough opening for large openings such as those required by, but not limited to, LiftSlide, Bifold and MultiSlide doors have unique requirements. Structural headers that allow for deflection no greater than 1/8" along the unsupported length once the header is fully loaded are required. Special care needs to be taken when installing any unit including transoms above such large opening units.
- Loewen is not responsible for site measurements or the determination of structural and architectural requirements for the installation of large opening products such as but not limited to, LiftSlide, Bifold and MultiSlide doors. Site specifications are the responsibility of building professionals or engineers to determine.

# LOEWEN MULTISLIDE: SIZING CHARTS FOR STACKING with POCKET

## NARROW STILE

P12

		WIDTH								
		242 5/8" 6162	275 3/4" 7004	289" 7341	124 7/8" 3172	182 1/16" 4625	239 1/4" 6076	289" 7341		
R.O.	Rough Opening									
	System	System	241 5/8" 6137	274 3/4" 6979	288" 7315	123 7/8" 3147	181 1/16" 4599	238 1/4" 6051	288" 7315	
		Framed Rough Opening	205 5/8" 5223	238 3/4" 6065	254 1/4" 6457	63 7/8" 1623	121 1/16" 3075	178 1/4" 4527	229 1/2" 5829	
		Panel	36" 914	36" 914	33 3/4" 858	60" 1524	60" 1524	60" 1524	58 1/2" 1487	
		Jamb	19 3/8" 492	22 3/8" 569	25 3/8" 645	4 3/8" 111	7 3/8" 187	10 3/8" 264	13 3/8" 340	
HEIGHT	39 1/8" 994	38 5/8" 981	36" 914	PXXXXX XXXXXP	PXXXXXX XXXXXXP	PXXXXXXXX XXXXXXXXP	PX XP	PXX XXP	PXXX XXXP	
	63 1/8" 1604	62 5/8" 1591	60" 1524	PXXXXX XXXXXP	PXXXXXX XXXXXXP	PXXXXXXXX XXXXXXXXP	PX XP	PXX XXP	PXXX XXXP	
	87 3/16" 2214	86 11/16" 2201	84" 2134	PXXXXX XXXXXP	PXXXXXX XXXXXXP	PXXXXXXXX XXXXXXXXP	PX XP	PXX XXP	PXXX XXXP	
	99 1/8" 2518	98 5/8" 2505	96" 2438	PXXXXX XXXXXP	PXXXXXX XXXXXXP	PXXXXXXXX XXXXXXXXP	PX XP	PXX XXP	PXXX XXXP	
	111 1/8" 2823	110 5/8" 2810	108" 2743	PXXXXX XXXXXP	PXXXXXX XXXXXXP	PXXXXXXXX XXXXXXXXP	PX XP	PXX XXP	PXXX XXXP	
	123 1/8" 3128	122 5/8" 3115	120" 3048	PXXXXX XXXXXP	PXXXXXX XXXXXXP	PXXXXXXXX XXXXXXXXP	PX XP	PXX XXP	PXXX XXXP	

	Minimum Panel Dimensions - 2' x 3'
	Maximum Panel Dimensions - 5' x 10'
	Maximum System Width - 24'

- Note:
- O = Fixed
  - X = Operating
  - P = Pocketing
  - The preparation of the rough opening for large openings such as those required by, but not limited to, LiftSlide, Bifold and MultiSlide doors have unique requirements. Structural headers that allow for deflection no greater than 1/8" along the unsupported length once the header is fully loaded are required. Special care needs to be taken when installing any unit including transoms above such large opening units.
  - Loewen is not responsible for site measurements or the determination of structural and architectural requirements for the installation of large opening products such as but not limited to, LiftSlide, Bifold and MultiSlide doors. Site specifications are the responsibility of building professionals or engineers to determine.

# LOEWEN MULTISLIDE: SIZING CHARTS FOR STACKING with POCKET

## WIDE STILE

P13

		WIDTH								
		52 15/16" 1344	72 9/16" 1844	76 7/8" 1953	108 1/2" 2756	140 1/8" 3560	176 5/16" 4478	203 3/8" 5166		
R.O.	Rough Opening									
	System	System	51 15/16" 1319	71 9/16" 1818	75 7/8" 1927	107 1/2" 2730	139 1/8" 3534	175 5/16" 4533	202 3/8" 5141	
		Framed Rough Opening	27 7/8" 709	47 9/16" 1208	39 7/8" 1013	71 1/2" 1816	103 1/8" 2620	139 5/16" 3539	166 3/8" 4226	
		Panel	24" 610	24" 610	36" 914	36" 914	36" 914	36" 914	36" 914	
		Jamb	4 3/8" 111	7 3/8" 187	4 3/8" 111	7 3/8" 188	10 3/8" 264	13 3/8" 340	16 3/8" 416	
HEIGHT	39 1/8" 994	38 5/8" 981	36" 914	PX XP	PXX XXP	PX XP	PXX XXP	PXXX XXXP	PXXXX XXXXP	
	63 1/8" 1604	62 5/8" 1591	60" 1524	PX XP	PXX XXP	PX XP	OXX XXO	PXXX XXXP	PXXXX XXXXP	
	87 3/16" 2214	86 11/16" 2201	84" 2134			PX XP	OXX XXO	PXXX XXXP	PXXXX XXXXP	
	99 1/8" 2518	98 5/8" 2505	96" 2438			PX XP	OXX XXO	PXXX XXXP	PXXXX XXXXP	
	111 1/8" 2823	110 5/8" 2810	108" 2743			PX XP	OXX XXO	PXXX XXXP	PXXXX XXXXP	
	123 1/8" 3128	122 5/8" 3115	120" 3048			PX XP	OXX XXO	PXXX XXXP	PXXXX XXXXP	

	Minimum Panel Dimensions - 2' x 3'
	Maximum Panel Dimensions - 5' x 10'
	Maximum System Width - 24'

- Note:
- O = Fixed
  - X = Operating
  - P = Pocketing
  - The preparation of the rough opening for large openings such as those required by, but not limited to, LiftSlide, Bifold and MultiSlide doors have unique requirements. Structural headers that allow for deflection no greater than 1/8" along the unsupported length once the header is fully loaded are required. Special care needs to be taken when installing any unit including transoms above such large opening units.
  - Loewen is not responsible for site measurements or the determination of structural and architectural requirements for the installation of large opening products such as but not limited to, LiftSlide, Bifold and MultiSlide doors. Site specifications are the responsibility of building professionals or engineers to determine.

# LOEWEN MULTISLIDE: SIZING CHARTS FOR STACKING with POCKET

WIDE STILE

		WIDTH							
R.O.	System	Rough Opening							
		235 1/16" 5970	266 11/16" 6774	289" 7341	124 7/8" 3172	180 9/16" 4586	236 3/16" 6000	289" 7341	
	Panel	System							
		234 1/16" 5945	265 11/16" 6748	288" 7315	123 7/8" 3147	179 9/16" 4560	235 3/16" 5974	288" 7315	
Jamb	19 3/8" 492	22 3/8" 569	25 3/8" 645	4 3/8" 111	7 3/8" 187	10 3/8" 264	13 3/8" 340		
39 1/8" 994	38 5/8" 981	36" 914	PXXXXX XXXXXP	PXXXXXX XXXXXXP	PXXXXXXXX XXXXXXXXP	PX XP	PXX XXP	PXXX XXXP	PXXXX XXXXP
63 1/8" 1604	62 5/8" 1591	60" 1524	PXXXXX XXXXXP	PXXXXXX XXXXXXP	PXXXXXXXX XXXXXXXXP	PX XP	PXX XXP	PXXX XXXP	PXXXX XXXXP
87 3/16" 2214	86 11/16" 2201	84" 2134	PXXXXX XXXXXP	PXXXXXX XXXXXXP	PXXXXXXXX XXXXXXXXP	PX XP	PXX XXP	PXXX XXXP	PXXXX XXXXP
99 1/8" 2518	98 5/8" 2505	96" 2438	PXXXXX XXXXXP	PXXXXXX XXXXXXP	PXXXXXXXX XXXXXXXXP	PX XP	PXX XXP	PXXX XXXP	PXXXX XXXXP
111 1/8" 2823	110 5/8" 2810	108" 2743	PXXXXX XXXXXP	PXXXXXX XXXXXXP	PXXXXXXXX XXXXXXXXP	PX XP	PXX XXP	PXXX XXXP	PXXXX XXXXP
123 1/8" 3128	122 5/8" 3115	120" 3048			PX XP	OXX XXO	PXXX XXXP	PXXXX XXXP	PXXXX XXXXP

Minimum Panel Dimensions - 2' x 3'
Maximum Panel Dimensions - 5' x 10'
Maximum System Width - 24'

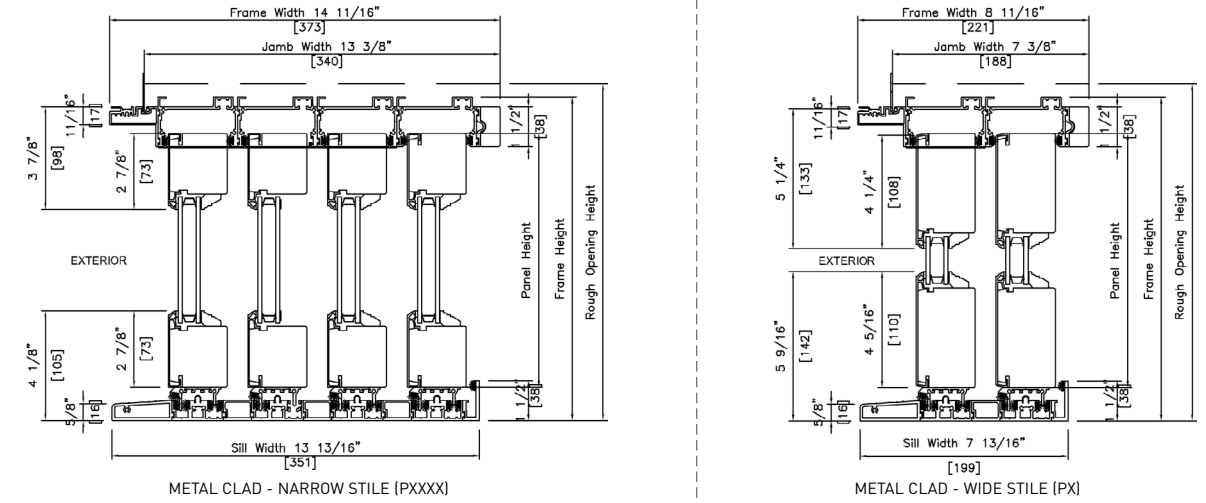
Note: • O = Fixed  
• X = Operating  
• P = Pocketing

• The preparation of the rough opening for large openings such as those required by, but not limited to, LiftSlide, Bifold and MultiSlide doors have unique requirements. Structural headers that allow for deflection no greater than 1/8" along the unsupported length once the header is fully loaded are required. Special care needs to be taken when installing any unit including transoms above such large opening units.

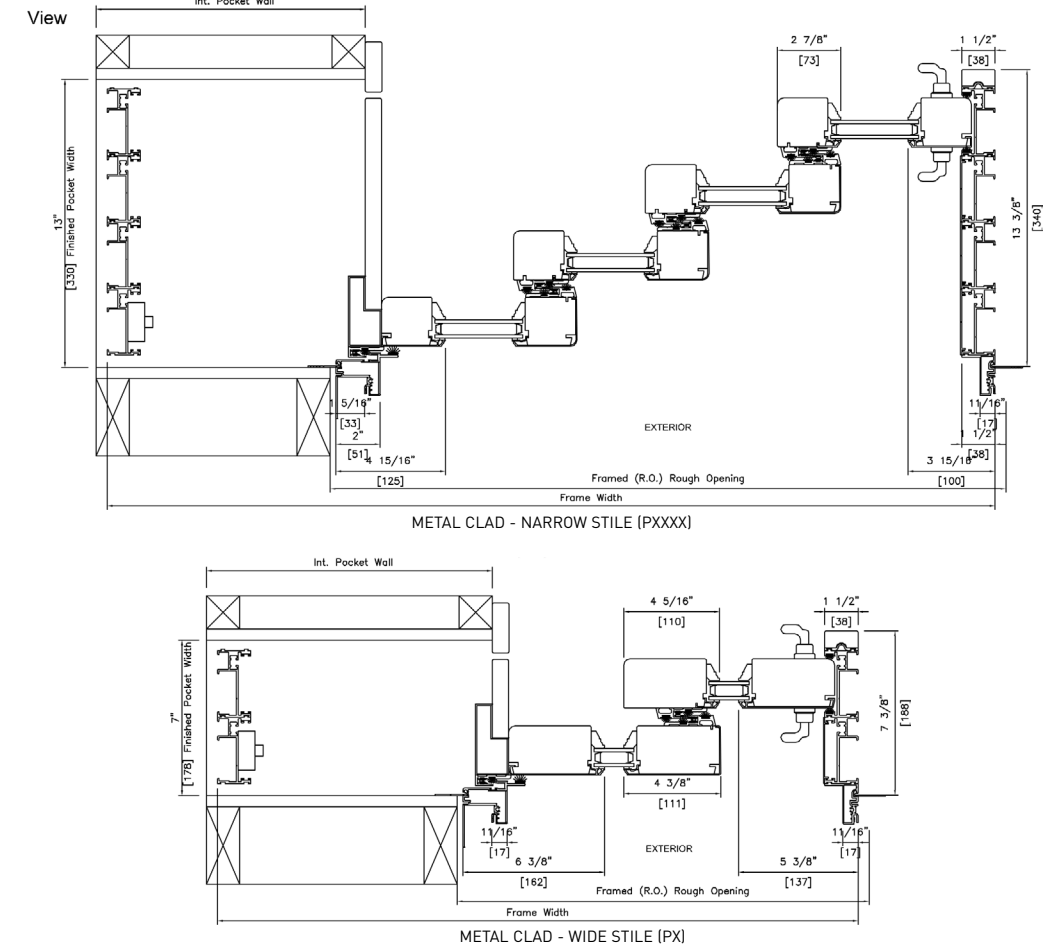
• Loewen is not responsible for site measurements or the determination of structural and architectural requirements for the installation of large opening products such as but not limited to, LiftSlide, Bifold and MultiSlide doors. Site specifications are the responsibility of building professionals or engineers to determine.

# LOEWEN MULTISLIDE: STACKING with POCKET - DOOR DETAIL

Head and Sill Detail



Plan View

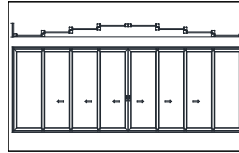


Note: • Drawings shown are typical details.  
• Additional sizes and configurations available.  
• Screen options may be available depending on size and configuration.  
• Raised threshold available with a maximum of 6 panels per sill (12 in a bi-parting configuration; 2 per track).  
• Consult your Authorized Dealer for details.  
• All dimensions to have +/- 1/16" (2 mm) tolerance.

• The preparation of the rough opening for large openings such as those required by, but not limited to, LiftSlide, Bifold and MultiSlide doors have unique requirements. Structural headers that allow for deflection no greater than 1/8" along the unsupported length once the header is fully loaded are required. Special care needs to be taken when installing any unit including transoms above such large opening units.

• Loewen is not responsible for site measurements or the determination of structural and architectural requirements for the installation of large opening products such as but not limited to, LiftSlide, Bifold and MultiSlide doors. Site specifications are the responsibility of building professionals or engineers to determine.





## LOEWEN MULTISLIDE: SIZING CHARTS FOR BI-PARTING

### NARROW STILE

		WIDTH									
Rough Opening		93 7/8" 2384	136 3/16" 3459	141 3/4" 3600	208" 5283	274 5/16" 6967	237 13/16" 6040	289" 7341			
R.O.	System	92 7/8" 2359	135 3/16" 3434	140 3/4" 3575	207" 5258	273 5/16" 6942	236 13/16" 6015	288" 7315			
	System	Panel	24" 610	24" 610	36" 914	36" 914	36" 914	60" 1524	49 1/2" 1257		
	Jamb	7 3/8" 188	10 3/8" 264	7 3/8" 188	10 3/8" 264	13 3/8" 340	7 3/8" 188	10 3/8" 264			
HEIGHT	39 1/8" 994	38 5/8" 981	36" 914		OX-XO	OXX-XXO	OX-XO	OXX-XXO	OXXX-XXXO	OX-XO	OXX-XXO
	63 1/8" 1604	62 5/8" 1591	60" 1524		OX-XO	OXX-XXO	OX-XO	OXX-XXO	OXXX-XXXO	OX-XO	OXX-XXO
	87 3/16" 2214	86 11/16" 2201	84" 2134			OX-XO	OXX-XXO	OXXX-XXXO	OX-XO	OXX-XXO	
	99 1/8" 2518	98 5/8" 2505	96" 2438			OX-XO	OXX-XXO	OXXX-XXXO	OX-XO	OXX-XXO	
	111 1/8" 2823	110 5/8" 2810	108" 2743			OX-XO	OXX-XXO	OXXX-XXXO	OX-XO	OXX-XXO	
	123 1/8" 3128	122 5/8" 3115	120" 3048			OX-XO	OXX-XXO	OXXX-XXXO	OX-XO	OXX-XXO	

	Minimum Panel Dimensions - 2' x 3'
	Maximum Panel Dimensions - 5' x 10'
	Maximum System Width - 24'

- Note:
- O = Fixed
  - X = Operating
  - P = Pocketing

- The preparation of the rough opening for large openings such as those required by, but not limited to, LiftSlide, Bifold and MultiSlide doors have unique requirements. Structural headers that allow for deflection no greater than 1/8" along the unsupported length once the header is fully loaded are required. Special care needs to be taken when installing any unit including transoms above such large opening units.
- Loewen is not responsible for site measurements or the determination of structural and architectural requirements for the installation of large opening products such as but not limited to, LiftSlide, Bifold and MultiSlide doors. Site specifications are the responsibility of building professionals or engineers to determine.

## LOEWEN MULTISLIDE: SIZING CHARTS FOR BI-PARTING

### WIDE STILE

		WIDTH									
Rough Opening		90 13/16" 2307	129 15/16" 3301	138 11/16" 3523	201 15/16" 5129	264 3/16" 6736	234 3/4" 5963	289" 7341			
R.O.	System	89 13/16" 2281	128 15/16" 3434	137 11/16" 3497	200 15/16" 5104	263 3/16" 6711	233 3/4" 5937	288" 7315			
	System	Panel	24" 610	24" 610	36" 914	36" 914	36" 914	60" 1524	50 1/2" 1283		
	Jamb	7 3/8" 188	10 3/8" 264	7 3/8" 188	10 3/8" 264	13 3/8" 340	7 3/8" 188	10 3/8" 264			
HEIGHT	39 1/8" 994	38 5/8" 981	36" 914		OX-XO	OXX-XXO	OX-XO	OXX-XXO	OXXX-XXXO	OX-XO	OXX-XXO
	63 1/8" 1604	62 5/8" 1591	60" 1524		OX-XO	OXX-XXO	OX-XO	OXX-XXO	OXXX-XXXO	OX-XO	OXX-XXO
	87 3/16" 2214	86 11/16" 2201	84" 2134			OX-XO	OXX-XXO	OXXX-XXXO	OX-XO	OXX-XXO	
	99 1/8" 2518	98 5/8" 2505	96" 2438			OX-XO	OXX-XXO	OXXX-XXXO	OX-XO	OXX-XXO	
	111 1/8" 2823	110 5/8" 2810	108" 2743			OX-XO	OXX-XXO	OXXX-XXXO	OX-XO	OXX-XXO	
	123 1/8" 3128	122 5/8" 3115	120" 3048			OX-XO	OXX-XXO	OXXX-XXXO	OX-XO	OXX-XXO	

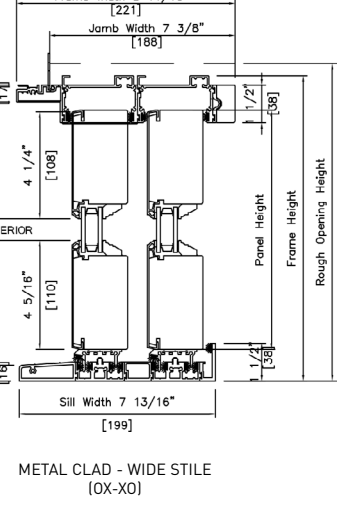
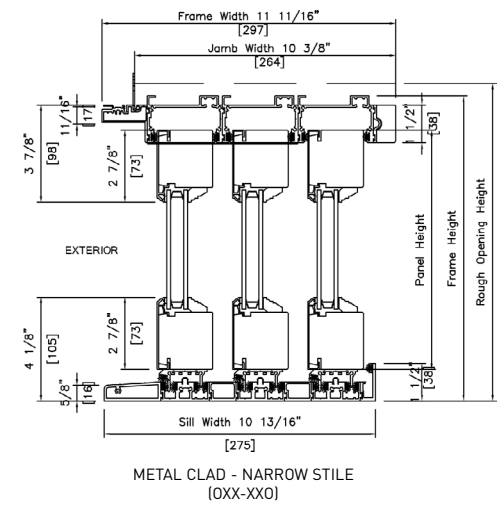
	Minimum Panel Dimensions - 2' x 3'
	Maximum Panel Dimensions - 5' x 10'
	Maximum System Width - 24'

- Note:
- O = Fixed
  - X = Operating
  - P = Pocketing

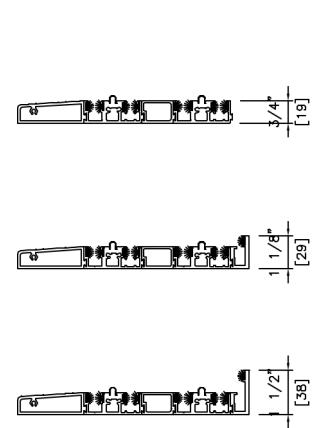
- The preparation of the rough opening for large openings such as those required by, but not limited to, LiftSlide, Bifold and MultiSlide doors have unique requirements. Structural headers that allow for deflection no greater than 1/8" along the unsupported length once the header is fully loaded are required. Special care needs to be taken when installing any unit including transoms above such large opening units.
- Loewen is not responsible for site measurements or the determination of structural and architectural requirements for the installation of large opening products such as but not limited to, LiftSlide, Bifold and MultiSlide doors. Site specifications are the responsibility of building professionals or engineers to determine.

# LOEWEN MULTISLIDE: BI-PARTING - DOOR DETAIL

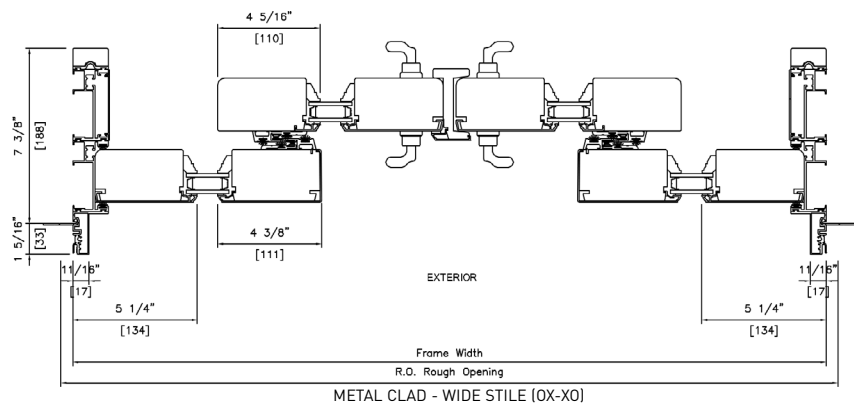
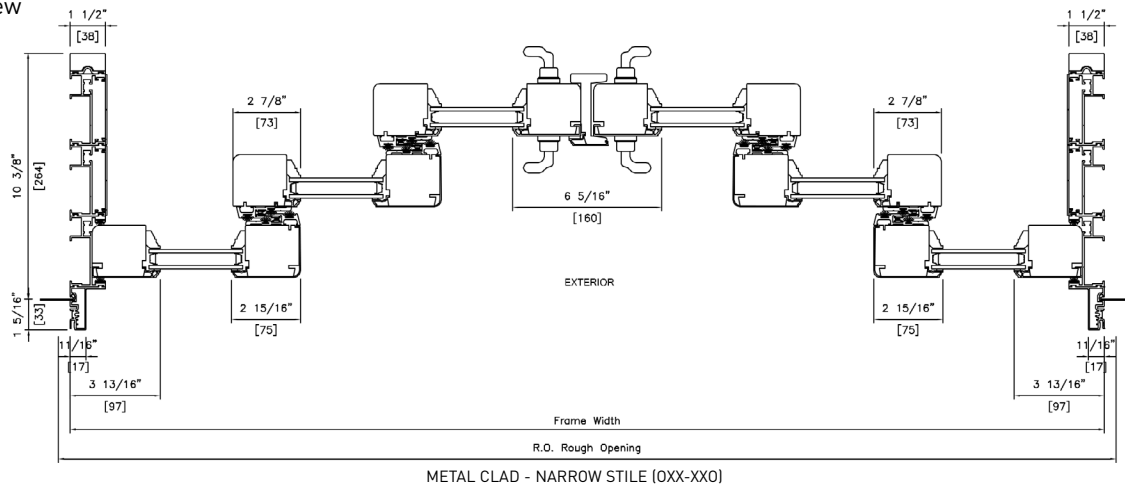
## Head and Sill Detail



## Optional Risers



## Plan View



# LOEWEN MULTISLIDE: SIZING CHARTS FOR BI-PARTING with POCKET

## NARROW STILE

		WIDTH									
		103 1/4"	145 5/8"	151 1/8"	217 7/16"	283 3/4"	289"	247 3/16"	289"		
		2623	3699	3839	5523	7207	7341	6279	7341		
R.O.	System	102 1/4" 2597	144 5/8" 3673	150 1/8" 3813	216 7/16" 5497	282 3/4" 7182	288" 7315	246 3/16" 6253	288" 7315		
	Framed Rough Opening	53 1/4" 1352	95 9/16" 2428	77 3/16" 1960	143 7/16" 3644	209 3/4" 5328	227 1/4" 5772	125 3/16" 3180	191 3/16" 4856		
R.O.	System										
	Panel	24" 610	24" 610	36" 914	36" 914	36" 914	29 7/8" 759	60" 1524	47 15/16" 1217		
		4" 102	7" 178	4" 102	7" 178	10" 254	13" 330	4" 102	7" 178		
HEIGHT	39 1/8" 994	38 5/8" 981	36" 914	PX-XP	PXX-XXP	PX-XP	PXX-XXP	PXXX-XXXXP	PXXXX-XXXXP	PX-XP	PXX-XXP
	63 1/8" 1604	62 5/8" 1591	60" 1524	PX-XP	PXX-XXP	PX-XP	PXX-XXP	PXXX-XXXXP	PXXXX-XXXXP	PX-XP	PXX-XXP
	87 3/16" 2214	86 11/16" 2201	84" 2134			PX-XP	PXX-XXP	PXXX-XXXXP	PXXXX-XXXXP	PX-XP	PXX-XXP
	99 1/8" 2518	98 5/8" 2505	96" 2438			PX-XP	PXX-XXP	PXXX-XXXXP	PXXXX-XXXXP	PX-XP	PXX-XXP
	111 1/8" 2823	110 5/8" 2810	108" 2743			PX-XP	PXX-XXP	PXXX-XXXXP	PXXXX-XXXXP	PX-XP	PXX-XXP
	123 1/8" 3128	122 5/8" 3115	120" 3048			PX-XP	PXX-XXP	PXXX-XXXXP	PXXXX-XXXXP	PX-XP	PXX-XXP

Minimum Panel Dimensions - 2' x 3'
Maximum Panel Dimensions - 5' x 10'
Maximum System Width - 24'

- Note:
- Drawings shown are typical details.
  - Additional sizes and configurations available.
  - Screen options may be available depending on size and configuration.
  - Raised threshold available with a maximum of 6 panels per sill (12 in a bi-parting configuration; 2 per track).
  - Consult your Authorized Dealer for details.
  - All dimensions to have +/- 1/16" (2 mm) tolerance.
  - O = Fixed
  - X = Operating
  - P = Pocketing

- The preparation of the rough opening for large openings such as those required by, but not limited to, LiftSlide, Bifold and MultiSlide doors have unique requirements. Structural headers that allow for deflection no greater than 1/8" along the unsupported length once the header is fully loaded are required. Special care needs to be taken when installing any unit including transoms above such large opening units.
- Loewen is not responsible for site measurements or the determination of structural and architectural requirements for the installation of large opening products such as but not limited to, LiftSlide, Bifold and MultiSlide doors. Site specifications are the responsibility of building professionals or engineers to determine.

- Note:
- O = Fixed
  - X = Operating
  - P = Pocketing

- The preparation of the rough opening for large openings such as those required by, but not limited to, LiftSlide, Bifold and MultiSlide doors have unique requirements. Structural headers that allow for deflection no greater than 1/8" along the unsupported length once the header is fully loaded are required. Special care needs to be taken when installing any unit including transoms above such large opening units.
- Loewen is not responsible for site measurements or the determination of structural and architectural requirements for the installation of large opening products such as but not limited to, LiftSlide, Bifold and MultiSlide doors. Site specifications are the responsibility of building professionals or engineers to determine.

# LOEWEN MULTISLIDE: SIZING CHARTS FOR BI-PARTING with POCKET

WIDE STILE

WIDTH

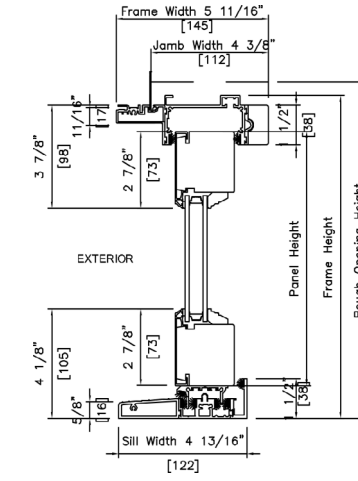
Rough Opening		103 1/4" 2623	142 9/16" 3699	151 1/8" 3839	214 3/8" 5445	277 3/16" 7041	289" 7341	247 3/16" 6279	289" 7341
R.O.	System	102 1/4" 2597	141 9/16" 3595	150 1/8" 3813	213 3/8" 5419	276 3/16" 7015	288" 7315	246 3/16" 6253	288" 7315
	Framed Rough Opening	53 1/4" 1352	91 3/4" 2330	77 3/16" 1960	139 5/8" 3546	203 1/4" 5162	225 3/8" 5725	125 3/16" 3180	189 7/8" 4810
R.O.	System	24" 610	24" 610	36" 914	36" 914	36" 914	30 3/16" 782	60" 1524	48 7/16" 1230
	Panel	4" 102	7" 178	4" 102	7" 178	10" 254	13" 330	4" 102	7" 178
Jamb		4" 102	7" 178	4" 102	7" 178	10" 254	13" 330	4" 102	7" 178
HEIGHT	39 1/8" 994	38 5/8" 981	36" 914						
	63 1/8" 1604	62 5/8" 1591	60" 1524						
	87 3/16" 2214	86 11/16" 2201	84" 2134						
	99 1/8" 2518	98 5/8" 2505	96" 2438						
	111 1/8" 2823	110 5/8" 2810	108" 2743						
	123 1/8" 3128	122 5/8" 3115	120" 3048						

Minimum Panel Dimensions - 2' x 3'
Maximum Panel Dimensions - 5' x 10'
Maximum System Width - 24'

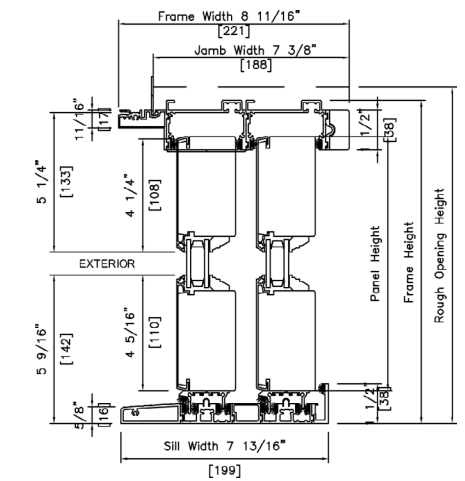
- Note:
- O = Fixed
  - X = Operating
  - P = Pocketing
  - The preparation of the rough opening for large openings such as those required by, but not limited to, LiftSlide, Bifold and MultiSlide doors have unique requirements. Structural headers that allow for deflection no greater than 1/8" along the unsupported length once the header is fully loaded are required. Special care needs to be taken when installing any unit including transoms above such large opening units.
  - Loewen is not responsible for site measurements or the determination of structural and architectural requirements for the installation of large opening products such as but not limited to, LiftSlide, Bifold and MultiSlide doors. Site specifications are the responsibility of building professionals or engineers to determine.

# LOEWEN MULTISLIDE: BI-PARTING with POCKET - DOOR DETAIL

Head and Sill Detail

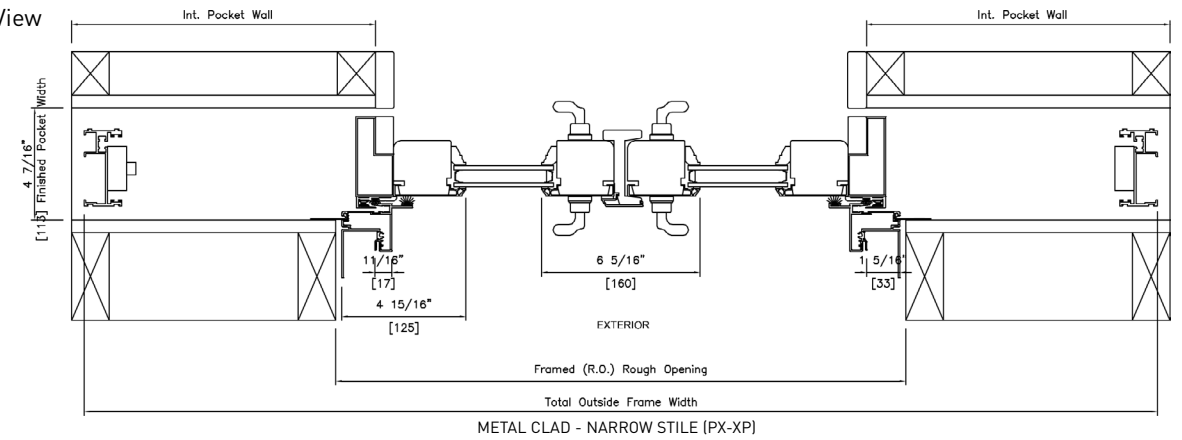


METAL CLAD - NARROW STILE (PX-XP)

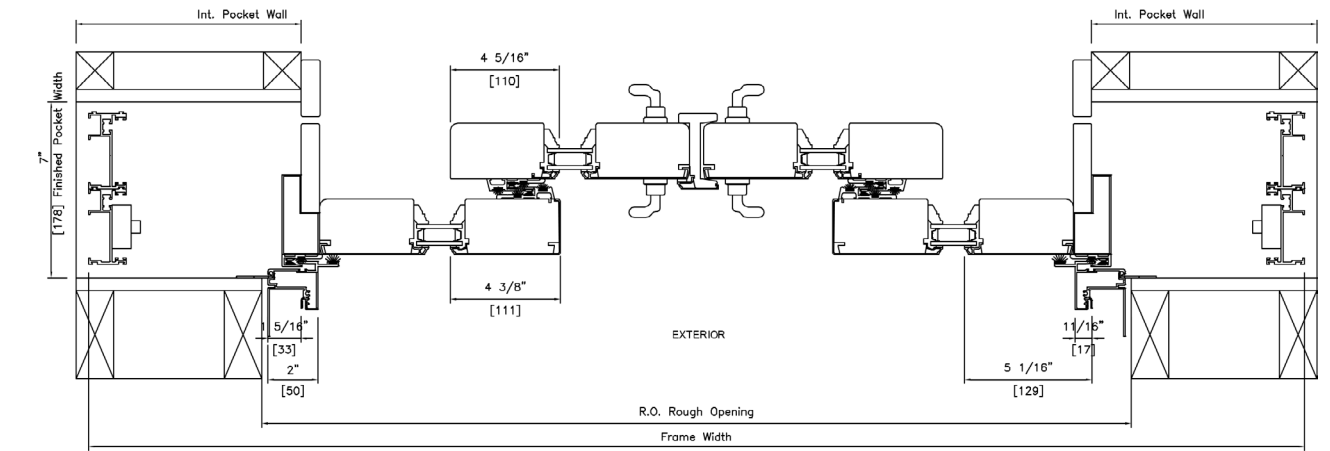


METAL CLAD - WIDE STILE (PXX-XXP)

Plan View



METAL CLAD - NARROW STILE (PX-XP)



METAL CLAD - WIDE STILE (PXX-XXP)

- Note:
- Drawings shown are typical details.
  - Additional sizes and configurations available.
  - Screen options may be available depending on size and configuration.
  - Raised threshold available with a maximum of 6 panels per sill (12 in a bi-parting configuration; 2 per track).
  - Consult your Authorized Dealer for details.
  - All dimensions to have +/- 1/16" (2 mm) tolerance.
  - O = Fixed
  - X = Operating
  - P = Pocketing
  - The preparation of the rough opening for large openings such as those required by, but not limited to, LiftSlide, Bifold and MultiSlide doors have unique requirements. Structural headers that allow for deflection no greater than 1/8" along the unsupported length once the header is fully loaded are required. Special care needs to be taken when installing any unit including transoms above such large opening units.
  - Loewen is not responsible for site measurements or the determination of structural and architectural requirements for the installation of large opening products such as but not limited to, LiftSlide, Bifold and MultiSlide doors. Site specifications are the responsibility of building professionals or engineers to determine.

TO FIND YOUR NEAREST LOEWEN DEALER GO TO [WWW.LOEWEN.COM](http://WWW.LOEWEN.COM)

---

Information subject to change without notice.

Distributed by Loewen Inc. in the USA and C.P. Loewen Enterprises Ltd. in Canada and internationally.  
Trade Marks owned by C.P. Loewen Enterprises Ltd. Used under license. © C.P. Loewen Enterprises Ltd.  
All rights reserved.



Recycled Paper  
Printed in Canada  
122015