



CLASSIC AMERICAN ARCHITECTURE

**ENHANCED METAL-CLAD  
DOUBLE HUNG WINDOW**

*Loewen*

# ENHANCED METAL-CLAD DOUBLE HUNG WINDOW

More casing and nosing options, new intentional design, architecturally correct aesthetics, and more.

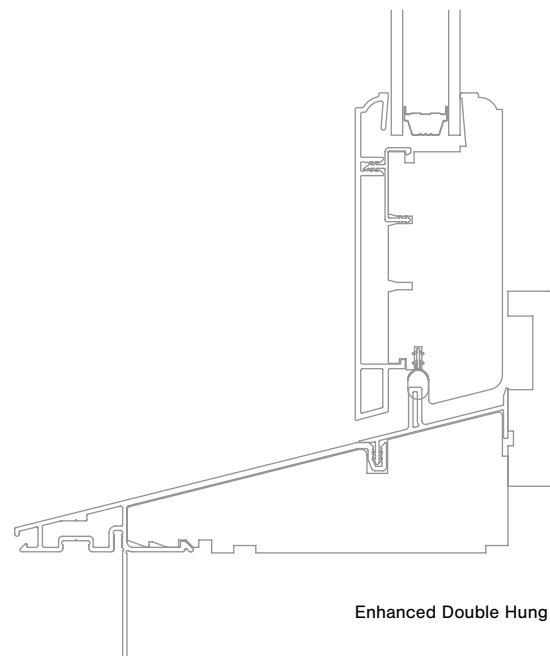
We are pleased to announce a series of enhancements to improve the Loewen Double Hung window offering. These enhancements will allow more flexibility in installation, adding an extra level of customization and simplicity of design.

## WHAT'S NEW

Our new simplified sill design makes mulling and other field applications much easier.

The new sill design allows for casing and sill nosing to abut cleanly to the underside of the sill.

This improved architecturally correct design also accepts the standard Loewen casing and sill nosing used on many of our other products.



## OUR ENHANCED DOUBLE HUNG IS COMPATIBLE WITH

All standard Loewen casings including our minimal Kerf casing used on other Loewen product lines.

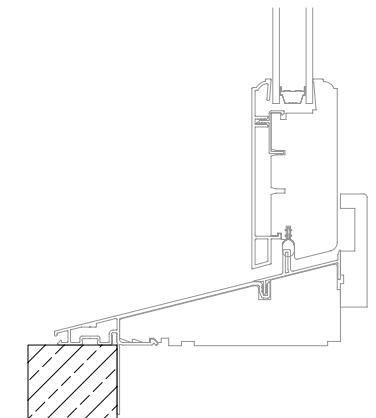
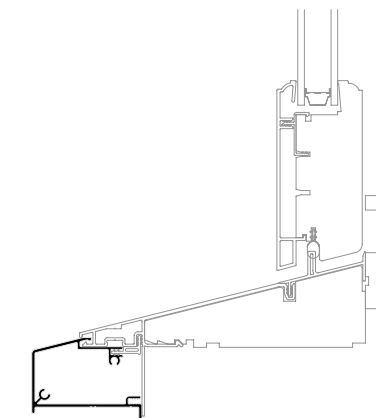
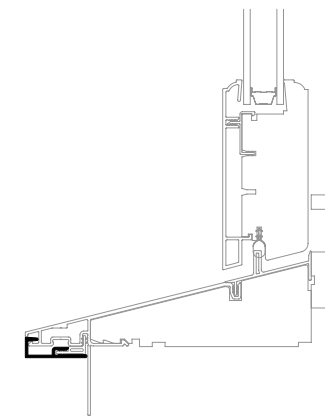
The application of casings on all four sides of the product.

The sill nosing used on our other product lines (replacing the proprietary nosing now used).

*\*A fully integrated 2" Frame extension will be coming soon.*

**We have meticulously designed the profiles to align this Double Hung with our other products, increasing compatibility with options available across our entire portfolio.**

The Loewen DH is already highly regarded as a high-performing replacement for heritage applications. Taking this even further, the exterior leg of the cladding has now been thickened to be more architecturally correct. The new cladding also features a blind stop to lock in the exterior screen. This screen retention method ensures water is far less likely to infiltrate into the cladding.







**Our architecturally correct profiles further solidify the Loewen Double Hung as the ideal market choice.**



Blind Stop

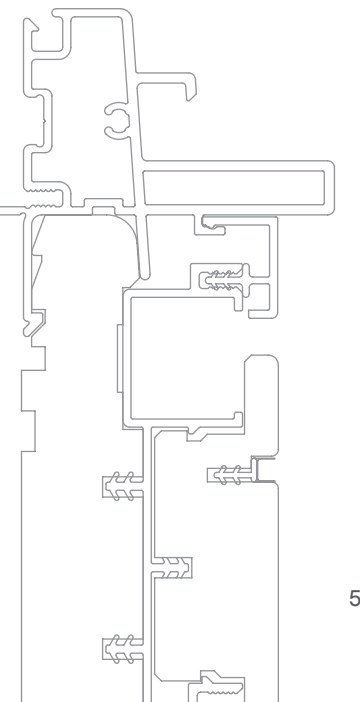
Thicker Jamb Leg

**OTHER NOTES**

New standard sizes have been added to make our offering more consistent.

We have taken this opportunity to adjust, tweak, and modify many other aspects of the product to ensure we continue to have the best Double Hung available.

DH, SH, Fixed and Transom designs will be affected.



Rough Opening		Width						
		Frame						
		Visible Glass						
Wood Exterior		22 9/16"	24 9/16"	26 9/16"	28 9/16"	30 9/16"		
		573	624	675	726	777		
		21 13/16"	23 13/16"	25 13/16"	27 13/16"	29 13/16"		
		554	605	656	707	758		
		15 1/16"	17 1/16"	19 1/16"	21 1/16"	23 1/16"		
		382	433	484	535	586		
33 11/16"	33 1/16"	32 5/16"	11 1/16"	DH1	DH1	DH1	DH1	DH1
856	839	820	281	1612	1812	2012	2212	2412
37 11/16"	37"	36 1/4"	13 1/16"	DH1	DH1	DH1	DH1	DH1
957	940	921	332	1614	1814	2014	2214	2414
41 11/16"	41"	40 1/4"	15 1/16"	DH1	DH1	DH1	DH1	DH1
1059	1042	1023	383	1616	1816	2016	2216	2416
45 5/8"	44 15/16"	44 3/16"	17 1/16"	DH1	DH1	DH1	DH1	DH1
1159	1142	1123	433	1618	1818	2018	2218	2418
49 11/16"	49"	48 1/4"	19 1/16"	DH1	DH1	DH1	DH1	DH1
1262	1245	1226	484	1620	1820	2020	2220	2420
53 11/16"	53 1/16"	52 5/16"	21 1/16"	DH1	DH1	DH1	DH1	DH1
1364	1347	1328	535	1622	1822	2022	2222	2422
54 11/16"	54"	53 1/4"	22 1/16"	DH1	DH1	DH1	DH1	DH1
1388	1371	1352	547	1623	1823	2023	2223	2423
57 11/16"	57"	56 1/4"	23 1/16"	DH1	DH1	DH1	DH1	DH1
1465	1448	1429	586	1624	1824	2024	2224	2424
61 11/16"	61"	60 1/4"	25 1/16"	DH1	DH1	DH1	DH1	DH1
1567	1550	1531	637	1626	1826	2026	2226	2426
65 11/16"	65"	64 1/4"	27 1/16"	DH1	DH1	DH1	DH1	DH1
1668	1651	1632	687	1628	1828	2028	2228	2428
69 11/16"	69"	68 1/4"	29 1/16"	DH1	DH1	DH1	DH1	DH1
1770	1753	1734	738	1630	1830	2030	2230	2430
73 11/16"	73 1/16"	72 5/16"	31 1/16"	DH1	DH1	DH1	DH1	DH1
1872	1855	1836	789	1632	1832	2032	2232	2432
77 11/16"	77"	76 1/4"	33 1/16"	DH1	DH1	DH1	DH1	DH1
1973	1956	1937	839.5	1634	1834	2034	2234	2434
81 11/16"	81"	80 1/4"	35 1/16"	DH1	DH1	DH1	DH1	DH1
2075	2058	2039	891	1636	1836	2036	2236	2436
85 11/16"	85"	84 1/4"	37 1/16"	DH1(L)	DH1(L)	DH1(L)	DH1(L)	DH1(L)
2176	2159	2140	941	1638	1838	2038	2238	2438

Height

Width							
32 9/16"	34 9/16"	36 9/16"	38 9/16"	40 9/16"	42 9/16"	44 9/16"	46 9/16"
827	878	929	980	1031	1081	1132	1183
31 13/16"	33 13/16"	35 13/16"	37 13/16"	39 13/16"	41 13/16"	43 13/16"	45 13/16"
808	859	910	961	1012	1062	1113	1164
25 1/16"	27 1/16"	29 1/16"	31 1/16"	33 1/16"	35 1/16"	37 1/16"	39 1/16"
636	687	738	789	840	890	941	992
DH1	DH1	DH1	DH1	DH1	DH1	DH1	DH1
2612	2812	3012	3212	3412	3612	3812	4012
DH1	DH1	DH1	DH1	DH1	DH1	DH1	DH1
2614	2814	3014	3214	3414	3614	3814	4014
DH1	DH1	DH1	DH1	DH1	DH1	DH1	DH1
2616	2816	3016	3216	3416	3616	3816	4016
DH1	DH1	DH1	DH1	DH1	DH1	DH1	DH1
2618	2818	3018	3218	3418	3618	3818	4018
DH1	DH1	DH1	DH1	DH1	DH1	DH1	DH1
2620	2820	3020	3220	3420	3620	3820	4020
DH1	DH1	DH1	DH1	DH1	DH1	DH1	DH1
2622	2822	3022	3222	3422	3622	3822	4022
DH1	DH1	DH1	DH1	DH1	DH1	DH1	DH1
2623	2823	3023	3223	3423	3623	3823	4023
DH1	DH1	DH1	DH1	DH1	DH1	DH1	DH1
2624	2824	3024	3224	3424	3624	3824	4024
DH1	DH1	DH1	DH1(T)	DH1(S)	DH1(S)	DH1(S)	DH1(S)
2626	2826	3026	3226	3426	3626	3826	4026
DH1	DH1	DH1	DH1	DH1	DH1	DH1	DH1
2628	2828	3028	3228	3428	3628	3828	4028
DH1	DH1	DH1	DH1	DH1	DH1	DH1	DH1
2630	2830	3030	3230	3430	3630	3830	4030
DH1	DH1	DH1	DH1	DH1	DH1	DH1	DH1
2632	2832	3032	3232	3432	3632	3832	4032
DH1	DH1	DH1	DH1	DH1	DH1	DH1	DH1
2634	2834	3034	3234	3434	3634	3834	4034
DH1	DH1	DH1	DH1	DH1	DH1	DH1	DH1
2636	2836	3036	3236	3436	3636	3836	4036
DH1(L)	DH1(L)	DH1(L)	DH1(L)	DH1(L)	DH1(L)	DH1(L)	DH1(L)
2638	2838	3038	3238	3438	3638	3838	4038

CDN Egress

US Egress

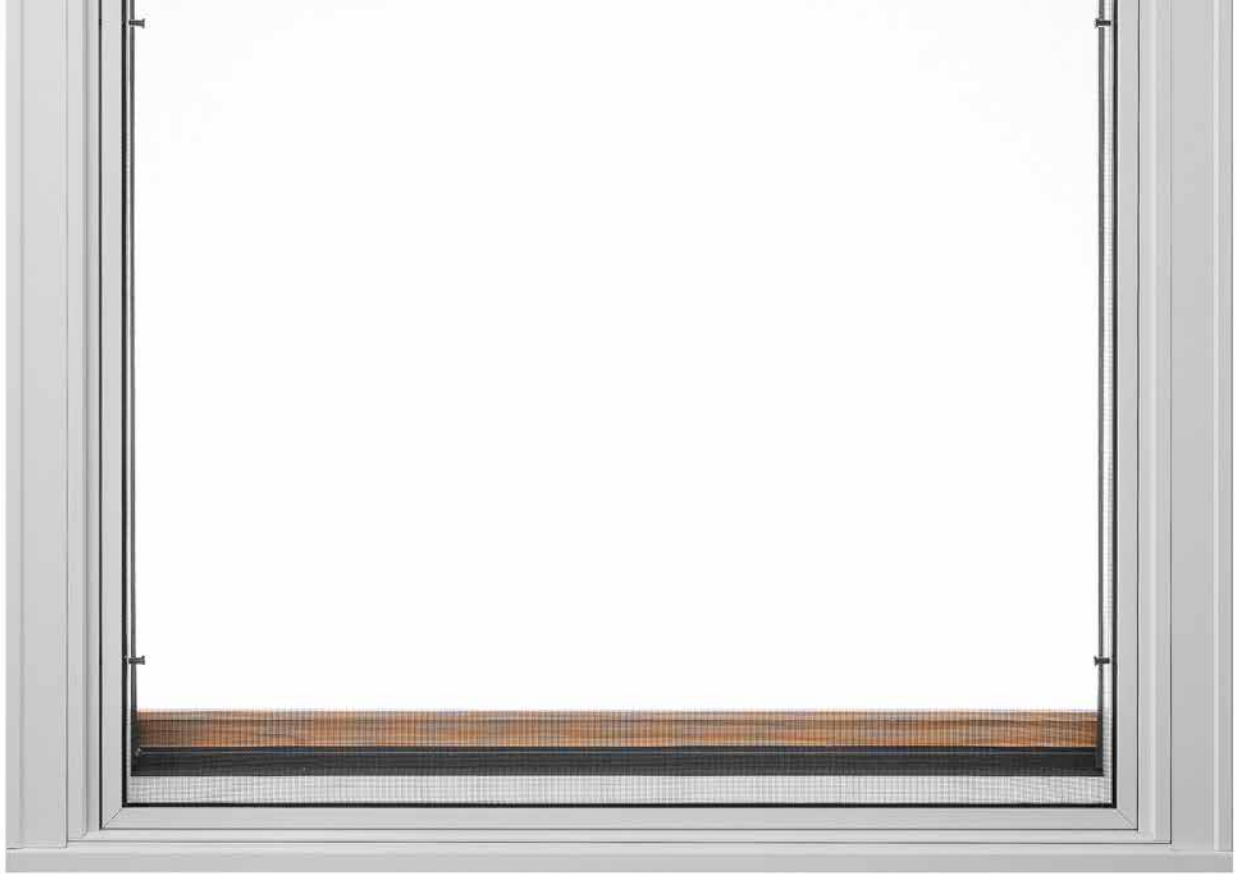
Product Code

**Legend**  
 S= Standard Sash Meets Egress Only  
 T= Tilting Meets Egress Only  
 L= Only Available in Liberty (non-tilt)

**Assumptions**  
 Units Without SDL Bars,  
 3.1mm Glass Thickness,  
 Std Balances, No Coastal Glazing

Newly added (August 7th, 2024)  
 Was in QM web, but newly added to this chart August 7th, 2024





*Loewen*

Distributed by Loewen Inc. in the USA and C.P. Loewen Enterprises Ltd. in Canada and internationally.  
Trade Marks owned by C.P. Loewen Enterprises Ltd. Used under license. © C.P. Loewen Enterprises Ltd.  
All rights reserved.

**LOEWEN.COM**